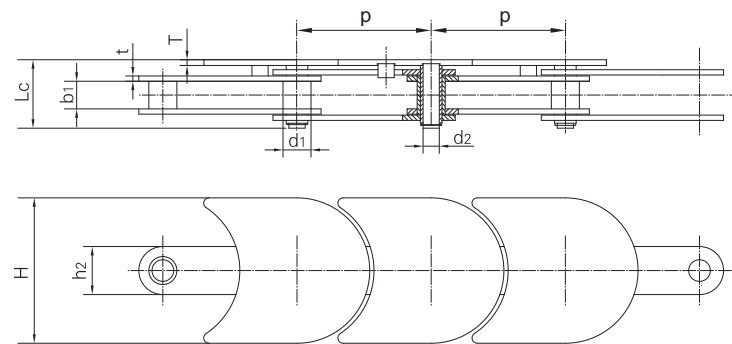


链号 Chain No.	节距 Pitch	滚子直径 Roller diameter	内节内宽 Width between inner plates	销轴直径 Pin diameter	销轴长度 Pin Length		链板尺寸 plate dimension		附板尺寸 Attachment dimension		抗拉强度 Ultimate tensile strength	每米重量 Mass per meter	型式 Type
					L	Lc	h2	t	H	T			
Dongfeng	p	d1 max	b1 min	d2 max	L max	Lc max	h2 max	t	H	T	Fu min	q ≈	
	mm	mm	mm	mm	mm	mm	mm	mm	mm	mm	kN	kg/m	
TOS50	19.05	12.07	11.68	5.72	23.3	27.3	16.0	1.85	50.0	3.50	29.0	2.35	A
TOS50F1	25.40	12.07	11.68	5.72	22.8	27.3	21.0	1.85	50.0	3.50	29.0	2.95	B
TOS80	38.10	15.88	15.75	7.92	32.4		27.3	3.18	82.6	3.18	55.6	4.91	B



链号 Chain No.	节距 Pitch	滚子直径 Roller diameter	内节内宽 Width between inner plates	销轴直径 Pin diameter	销轴长度 Pin length	链板尺寸 plate dimension		附板尺寸 Attachment dimension		抗拉强度 Ultimate tensile strength	每米重量 Mass per meter
						Lc	h2	t	H		
Dongfeng	p	d1 max	b1 min	d2 max	Lc max	h2 max	t	H	T	Fu min	q ≈
	mm	mm	mm	mm	mm	mm	mm	mm	mm	kN	kg/m
76HP	76.20	15.92	15.70	9.20	37.5	27.3	3.0	82.6	3.0	45.0	2.76